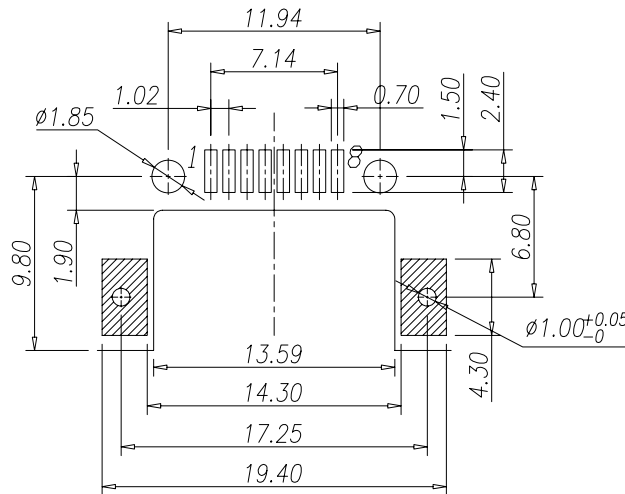
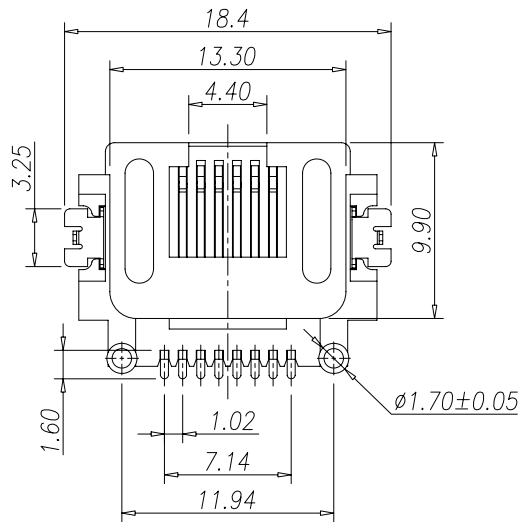
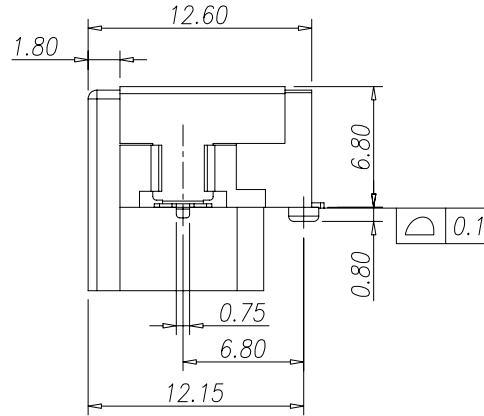
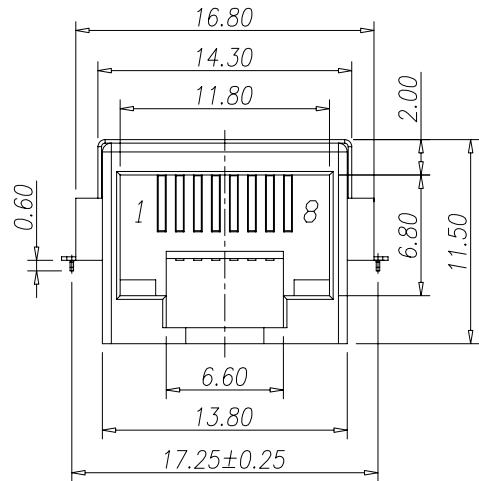


CATEGORY	DESCRIPTION	P/N #
CONNECTOR	Modular Jack, 8P8C, 1X1PORT	RJ45-88GF-L009

REV.	ECN NO	DESCRIPTION	REVISED	DATE
A01		New Release	XSY	2015.09.18



Recommend PCB Layout
(Jack Top View)
Tolerance: $\pm 0.05\text{mm}$

NOTE:

1. Voltage: 150V AC RMS
2. Current Rating: 1.5A
3. Contact Resistance: 40mΩ MAX.
4. Insulation Resistance: 500MΩ MIN.
5. Dielectric Withstang Voltage :1000V AC
6. Operature Temperature: -40°C~80°C
7. Durability: 750 Mating Cycles MIN.

c	Shielding	1	Brass T=0.2mm	Ni Plating	
b	Terminal	8	Phosphor Bronze T=0.3mm	Au/Tin Plating	
a	Housing	1	LCP UL94V-0	Black	
NO.	PART NAME	Q'TY	MATERIAL	PLATING & COLOR	Remark

UNLESS OTHERWISE SPECIFIED TOLERANCES

DECIMALS: X :±0.5 X.X :±0.3 X.XX :±0.2
 ANGLES: X :±2° X.X :±1°

<h1>Coorle Technology</h1>		
SCALE: 1/1	UNIT: mm	DWG. NO:
SIZE: A3	PAGE: 1 OF 1	REV: A01
APPROVED BY	CHECKED BY	PREPARED BY
DICK	XSY	XSY
CUSTOMER COPY		